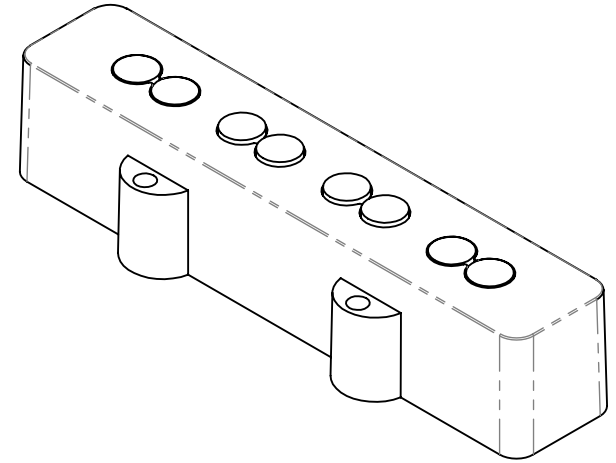
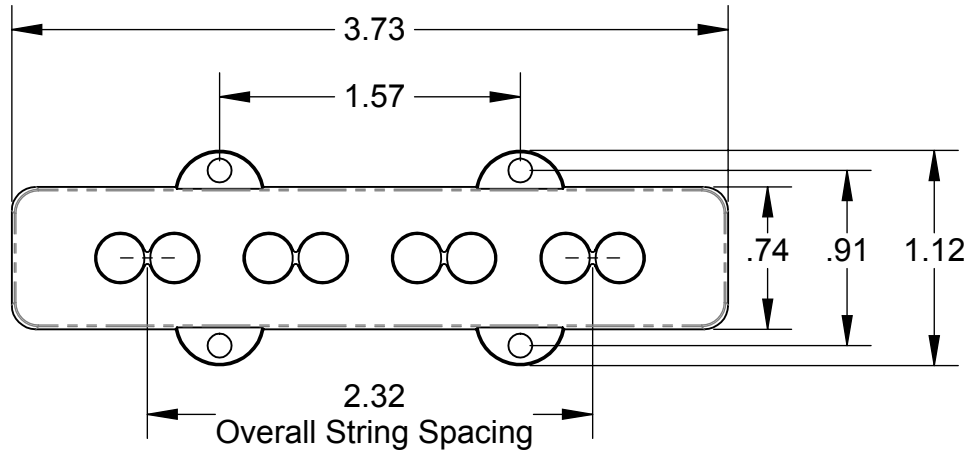


THE INFORMATION CONTAINED IN THIS DRAWING IS THE SOLE PROPERTY OF SEYMOUR DUNCAN RESEARCH. ANY REPRODUCTION IN PART OR WHOLE WITHOUT THE WRITTEN PERMISSION OF SEYMOUR DUNCAN RESEARCH IS PROHIBITED.

| REVISIONS | | | |
|-----------|-------------|------|----------|
| REV. | DESCRIPTION | DATE | APPROVED |
| | | | |
| | | | |
| | | | |



UNLESS OTHERWISE SPECIFIED
DIMENSIONS ARE IN INCHES
TOLERANCES ARE:
FRACTIONS DECIMALS ANGLES
.XX ± .01 ± 1
.XXX ± .005

CAD GENERATED DRAWING,
DO NOT MANUALLY UPDATE

| APPROVALS | DATE |
|---------------------------------|----------|
| DRAWN <i>Steven C.</i> | 7/8/2014 |
| CHECKED | |
| RESP ENG <i>Kevin Beller</i> | |
| MFG ENG | |
| QUAL ENG | |

SEYMOUR DUNCAN RESEARCH

**Envelope Drawing
QP Jazz Bridge**

MATERIAL
FINISH
DO NOT SCALE DRAWING

| SIZE | DWG. NO. | REV. |
|------|----------|------|
| A | 2 | 1 |

SCALE: 1:2